

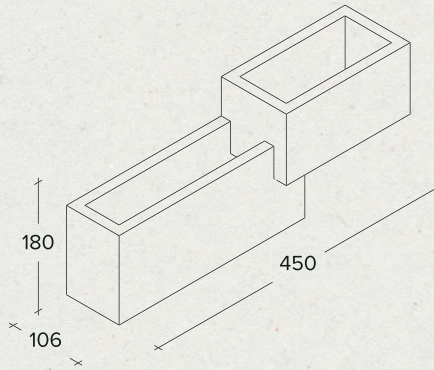
TECNICO[®]
N A T U R A L L I G H T

Paro

Acero design studio

_T269
_T270

T269 Paro



Three-lights, double emission plaster wall lamp
(Modello depositato)

Designed by Acero design studio

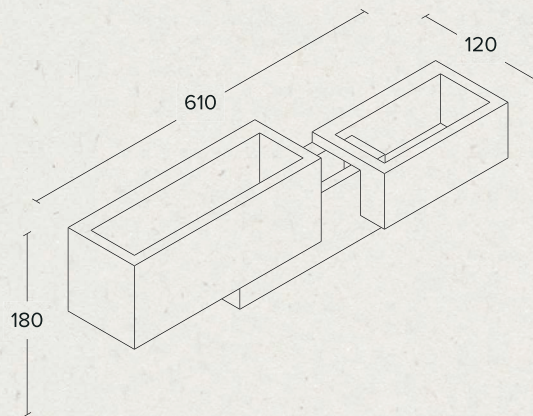
Material / Materiale / Material / Material / Материал Plaster and glass / Gesso e vetro / Gips und Glas / Yeso y vidrio / Гипс и стекло

Light source / Fonte di luce / Lichtquelle / Fuente de luz / Источник света G9
3 x 40W

Type-approvals / Omologazioni / Zulassungen / Homologaciones / Разрешения



T270 Paro



Five-lights, double emission plaster wall lamp
(Modello depositato)

Designed by Acero design studio

Material / Materiale / Material / Material / Материал Plaster and glass / Gesso e vetro / Gips und Glas / Yeso y vidrio / Гипс и стекло

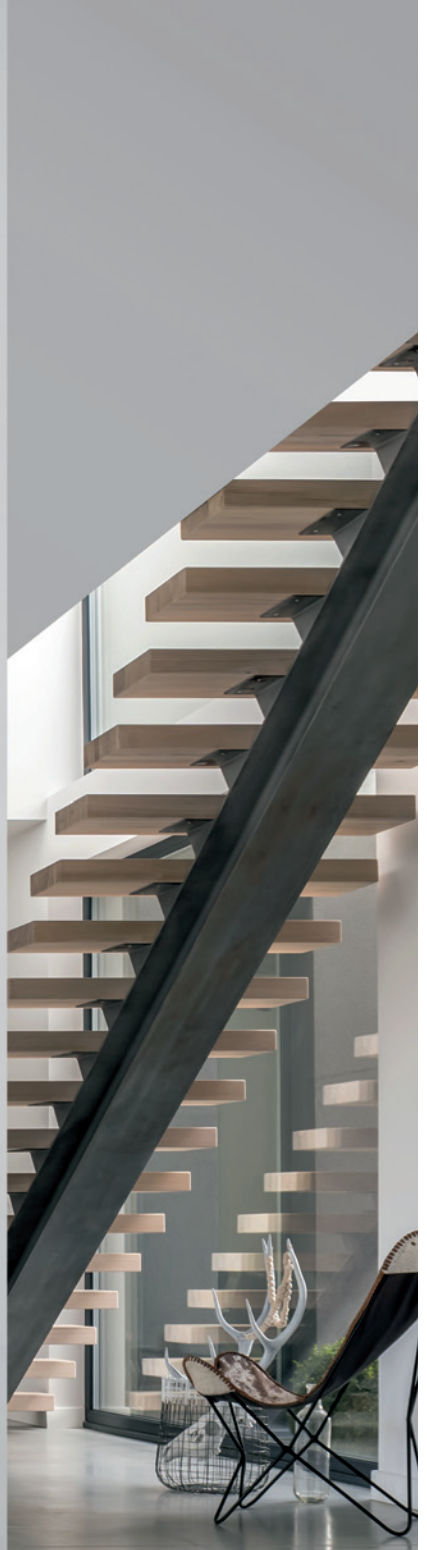
Light source / Fonte di luce / Lichtquelle / Fuente de luz / Источник света G9
5 x 40W

Type-approvals / Omologazioni / Zulassungen / Homologaciones / Разрешения





↓ →
T269 Paro
Three-lights,
double emission plaster wall lamp
G9 – 3x40W
w450 x d106 x h180 mm





← ↑

T270 Paro

Five-lights,
double emission plaster wall lamp
G9 – 5x40W
w610 x d120 x h180 mm