

**LAMOI**

Design: Andrea Barra

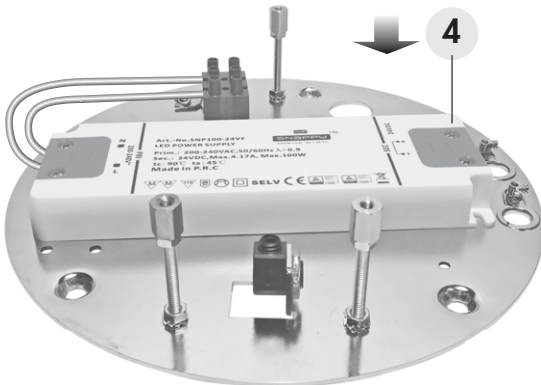
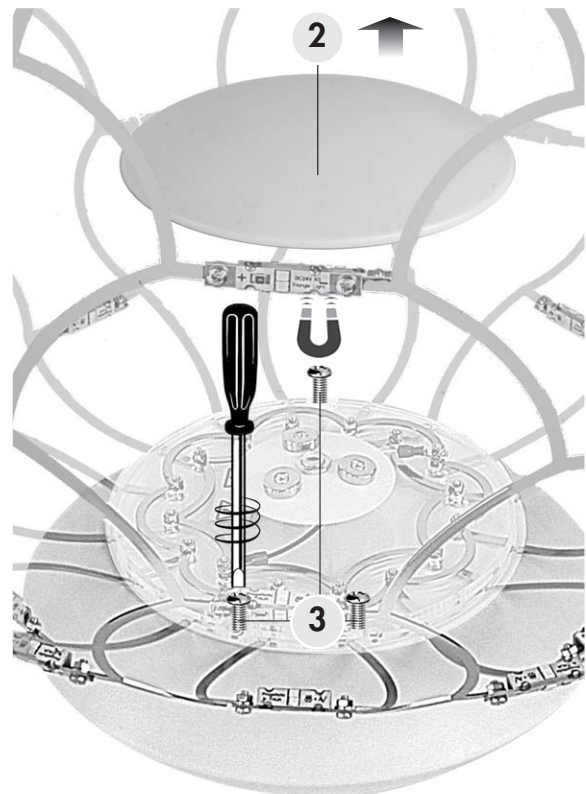
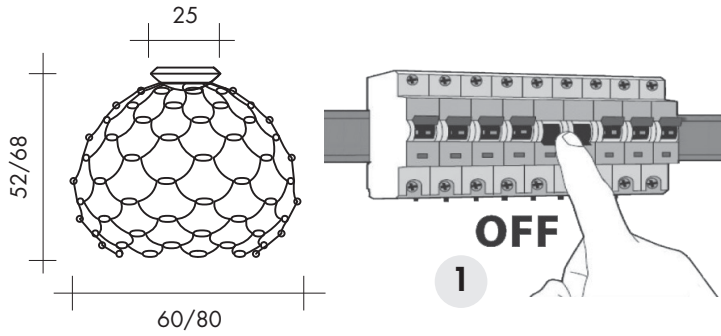
MADE IN ITALY

**1812.22/21.D 1717.22/21.D**

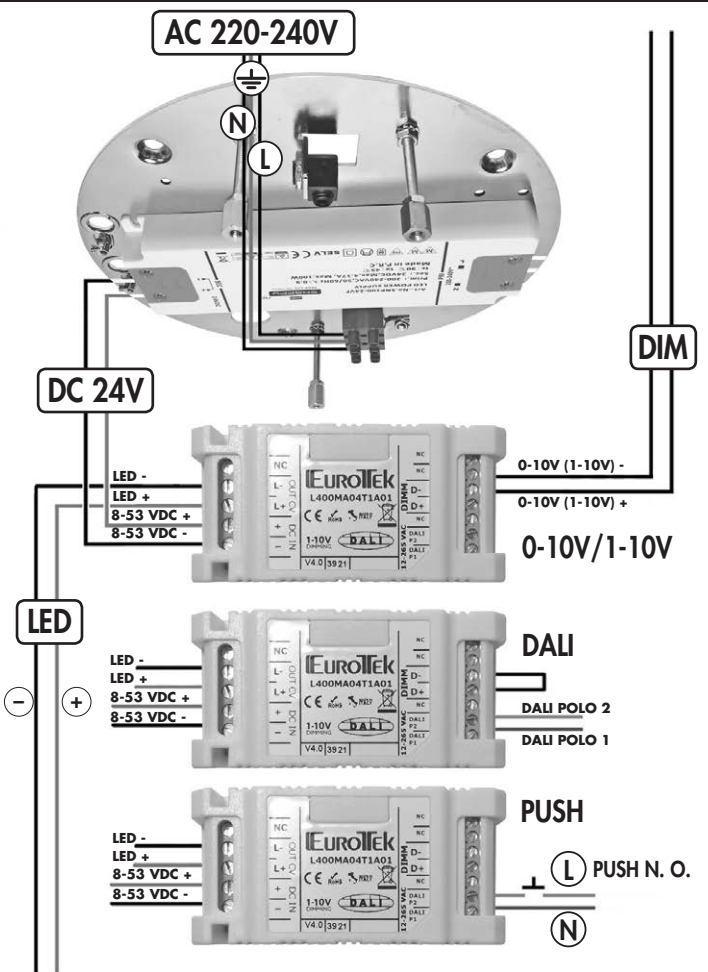
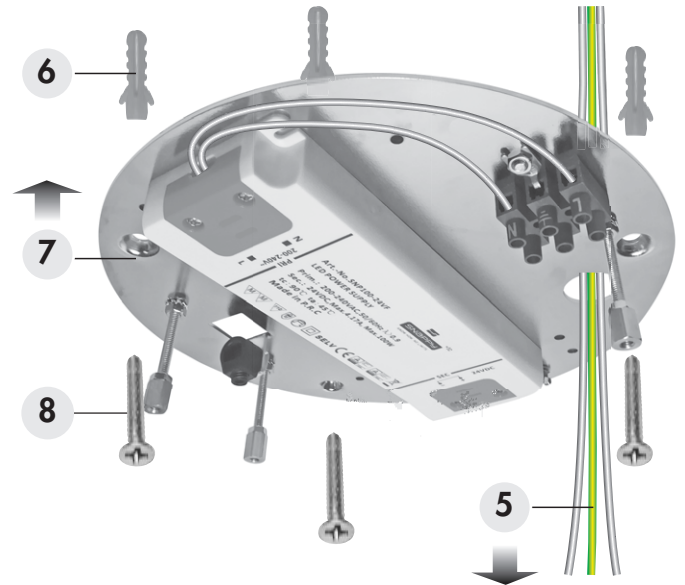
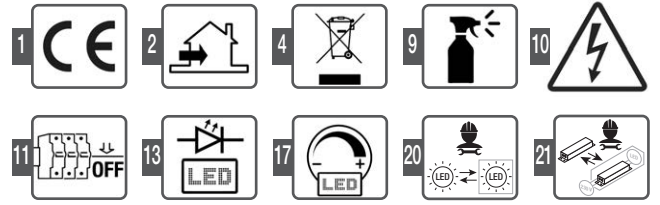
**1815.22/21.D 1738.22/21.D**

**1816.22/21.D 1747.22/21.D**

**1817.22/21.D** 99/72W LED 3000/2700K Ø 80/60



**URBAN**  
LIGHTING



info@sforzinilluminazione.com  
www.sforzinilluminazione.com  
V.le dell'Industria 21 - 20037 Paderno Dugnano (MI) - Italy

